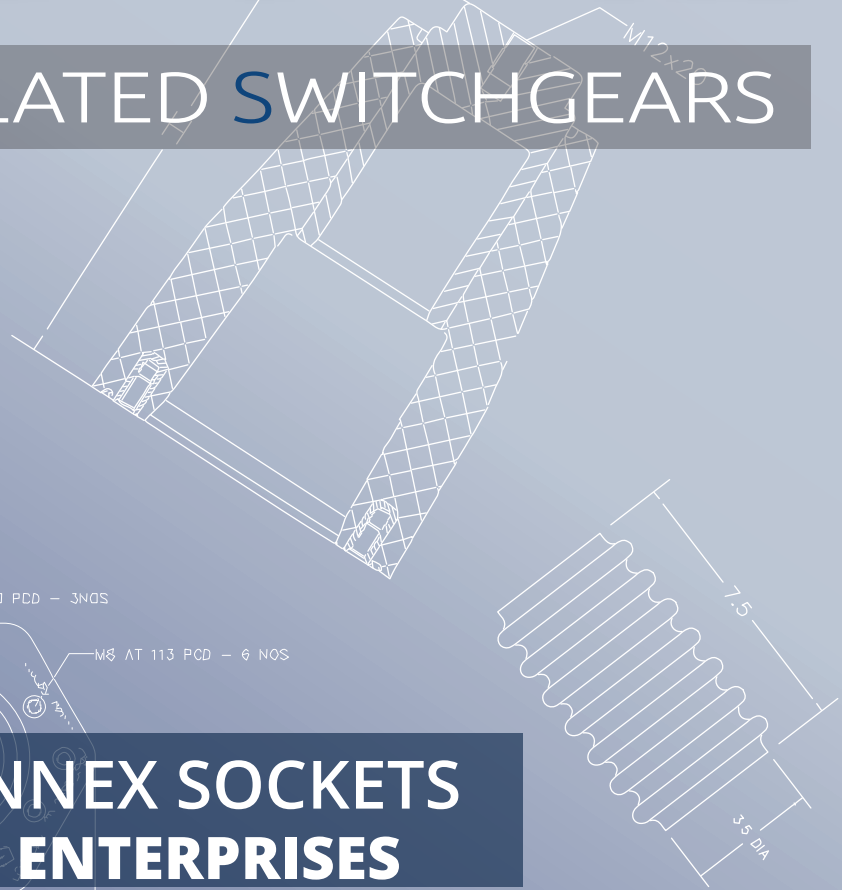
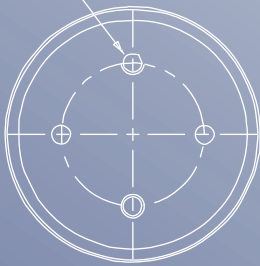




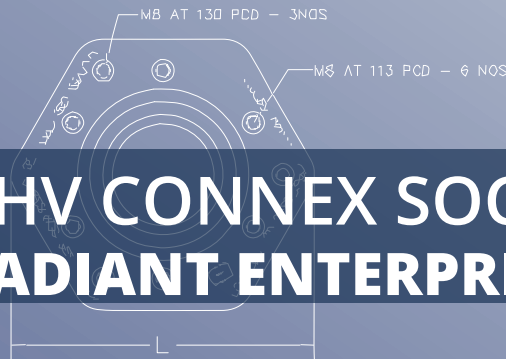
RADIANT ENTERPRISES

GAS INSULATED SWITCHGEARS

J0-13 (4) ON 3.000 B.C.



MV/HV CONNEX SOCKETS BY RADIANT ENTERPRISES



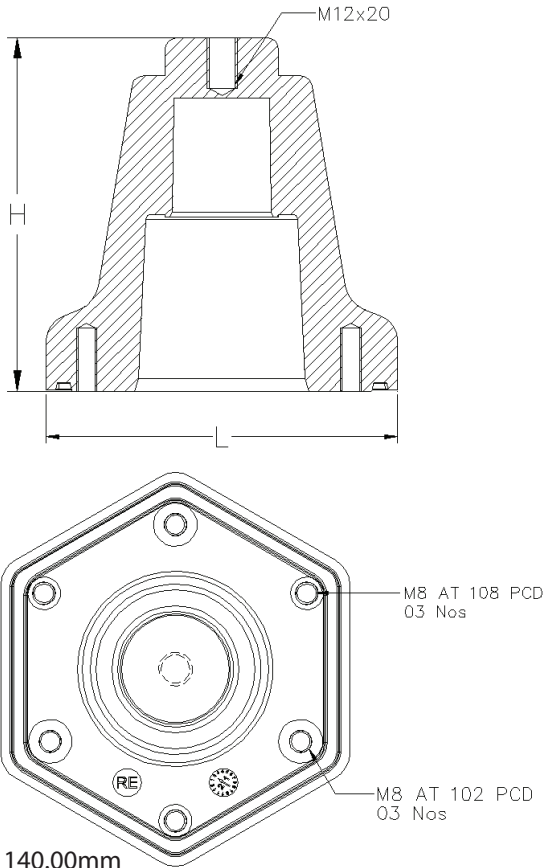
Suitable for all voltage levels and applications where medium or high voltage power cables must be reliably connected, terminated and distributed within the electricity supply industry.

Designed to connect or "plug-in" polymeric insulated cables into gas insulated switchgear, ring main units, circuit breakers, high voltage motors, transformers, transducers and sealing boxes.

M12 AT 193 PCD
6 NOS

4.5 DIA

MV CONNEX SOCKET (SIZE 2) - UPTO 42kV



PERFECT FIT FOR
SWITCHING STATIONS, CIRCUIT BREAKER UNITS,
HIGH VOLTAGE MOTORS, CONDENSORS

INSULATING MEDIUM: SF₆
MAXIMUM OPERATING TEMPERATURE: 90°C

WITHOUT VOLTAGE TAP

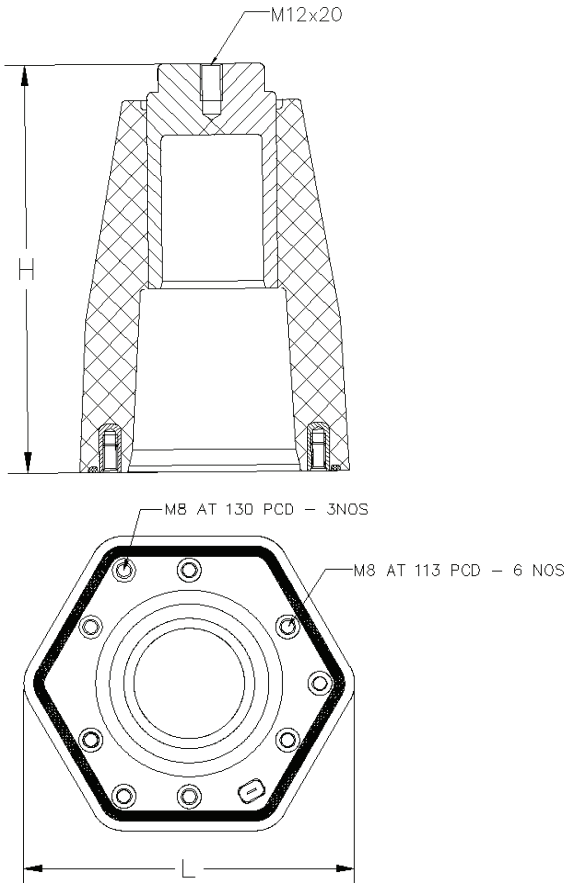
RATED CURRENT (A)	800
MAX. OPERATING VOLTAGE (kV)	42
CAPACITANCE VOLTAGE TAP (pF)	-
RATED LIGHTNING IMPULSE WITHSTAND VOLTAGE (kV)	170
RATED POWER FREQUENCY WITHSTAND VOLTAGE (50/60 Hz for 1 min)(kV)	70
SEALING FORM	HEXAGONAL

WITH VOLTAGE TAP

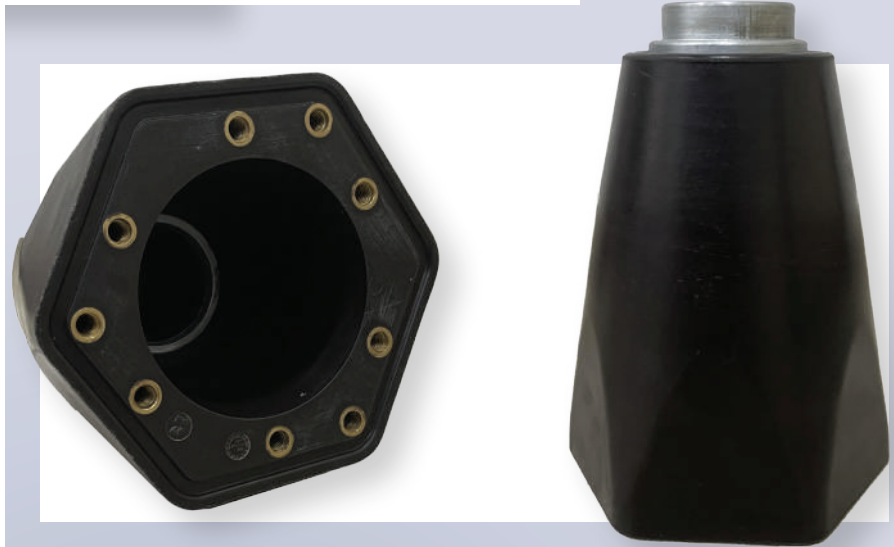
RATED CURRENT (A)	800
MAX. OPERATING VOLTAGE (kV)	42
CAPACITANCE VOLTAGE TAP (pF)	8 ±1.5
RATED LIGHTNING IMPULSE WITHSTAND VOLTAGE (kV)	170
RATED POWER FREQUENCY WITHSTAND VOLTAGE (50/60 Hz for 1 min)(kV)	70
SEALING FORM	HEXAGONAL



MV CONNEX SOCKET (SIZE 3) - UPTO 52kV



H= 217.50mm
L= 164.00mm



PERFECT FIT FOR
SWITCHING STATIONS, CIRCUIT BREAKER UNITS,
HIGH VOLTAGE MOTORS, CONDENSORS

INSULATING MEDIUM: SF₆
MAXIMUM OPERATING TEMPERATURE: 90°C

WITHOUT VOLTAGE TAP

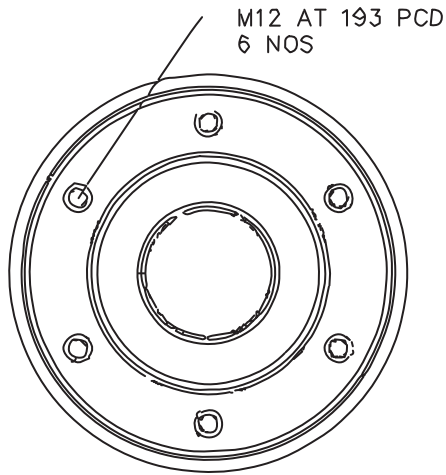
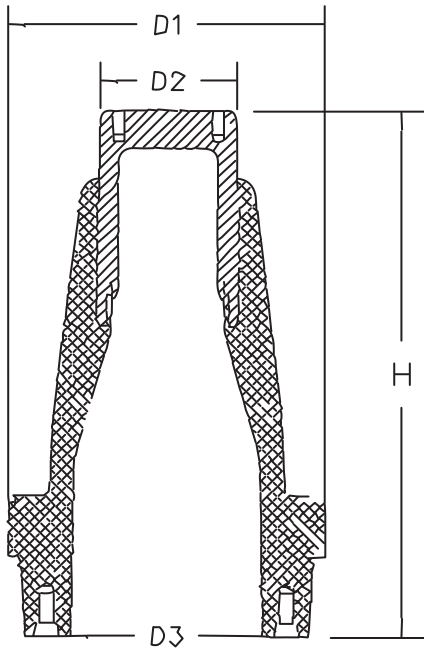
RATED CURRENT (A)	1250
MAX. OPERATING VOLTAGE (kV)	52
CAPACITANCE VOLTAGE TAP (pF)	-
RATED LIGHTNING IMPULSE WITHSTAND VOLTAGE (kV)	170
RATED POWER FREQUENCY WITHSTAND VOLTAGE (50/60 Hz for 1 min)(kV)	70
SEALING FORM	HEXAGONAL

WITH VOLTAGE TAP

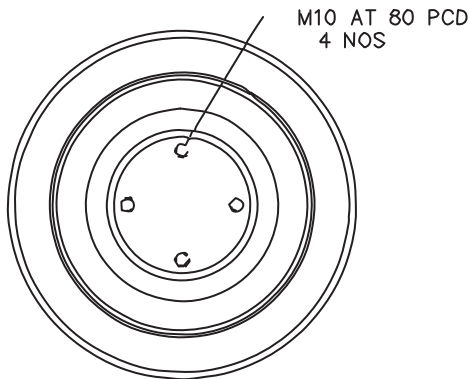
RATED CURRENT (A)	1250
MAX. OPERATING VOLTAGE (kV)	52
CAPACITANCE VOLTAGE TAP (pF)	15 ±1.5
RATED LIGHTNING IMPULSE WITHSTAND VOLTAGE (kV)	170
RATED POWER FREQUENCY WITHSTAND VOLTAGE (50/60 Hz for 1 min)(kV)	70
SEALING FORM	HEXAGONAL



MV CONNEX SOCKET (SIZE 4) - UPTO 72.5kV



BOTTOM



H = 424.00mm
 D1= 225.00mm
 D2= 110.00mm
 D3= 154.00mm



PERFECT FIT FOR
 GAS INSULATED SWITCHGEARS, TRANSFORMERS
 JOINT BOXES AND OTHER DEVICES

INSULATING MEDIUM: SF₆
 MAXIMUM OPERATING TEMPERATURE: 100°C

RATED CURRENT (A)	2500
MAX. OPERATING VOLTAGE (kV)	72.5
RATED PEAK WITHSTAND CURRENT (kA)	125
RATED LIGHTNING IMPULSE WITHSTAND VOLTAGE (kV)	325
RATED POWER FREQUENCY WITHSTAND VOLTAGE (50/60 Hz for 1 min)(kV)	140
SEALING FORM	ROUND



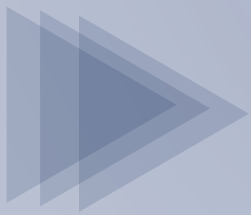
OUR CLIENTELE



BOMBARDIER



ALSTOM



WE EXPORT
80% OF OUR
PRODUCE

